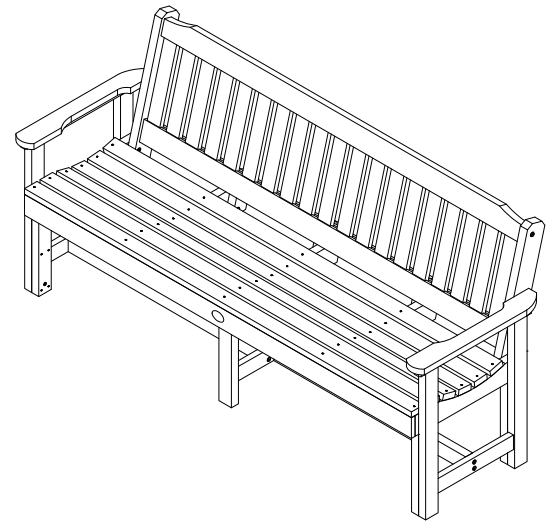


Sequoia Collection

Exeter 6' Garden Bench

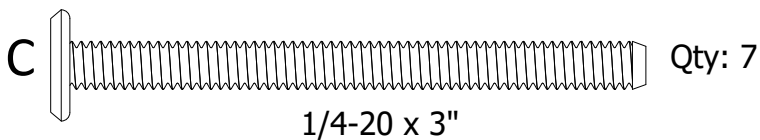
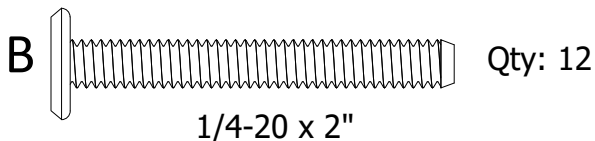
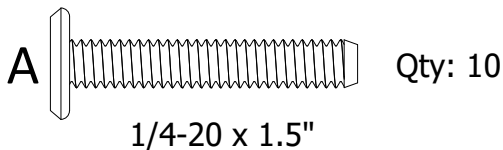
Assembly Guide



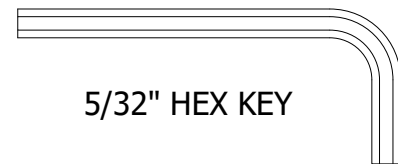
IMPORTANT!

DO NOT fully tighten the bolts until all bolts are started. Once all bolts are inserted, go back & tighten all the bolts.

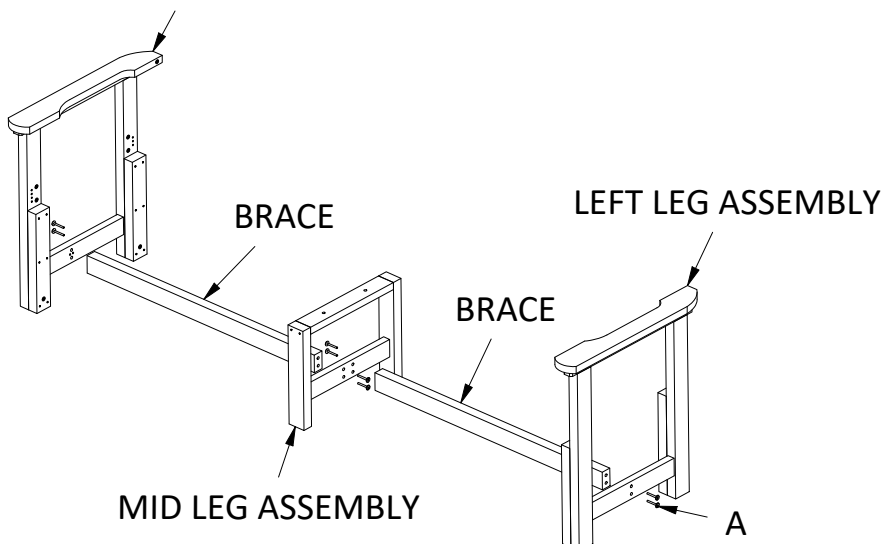
HARDWARE INCLUDED



TOOLS INCLUDED



RIGHT LEG ASSEMBLY



1) Attach Braces to Leg Assemblies using (8) A Bolts.

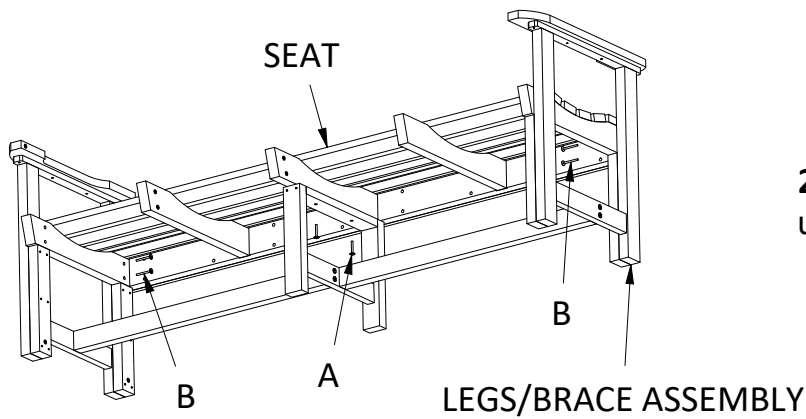


SEQUOIA
PROFESSIONAL
by **highwood**

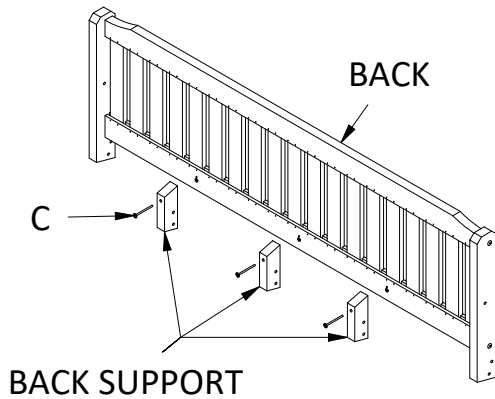
For information on Care and Cleaning or to Register your SEQUOIA PROFESSIONAL product by *highwood*[®], please visit www.highwood-usa.com.

CM-BENSQ62
09.20.21

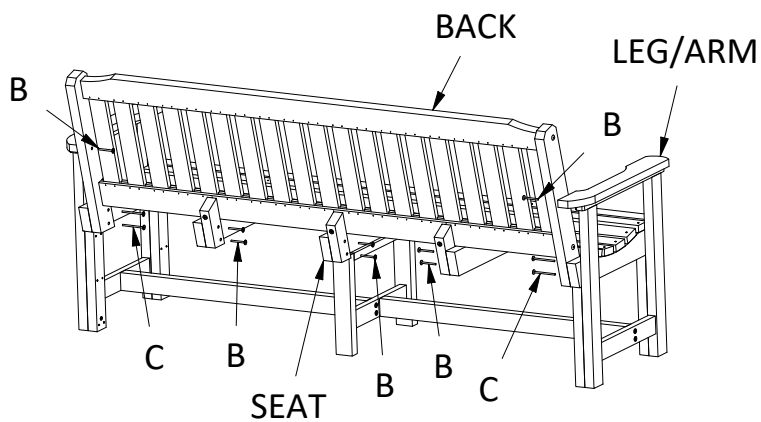
PAGE 1 OF 2



2) Attach Seat to Legs/Brace Assembly using (2) A Bolts and (4) B Bolts as shown.

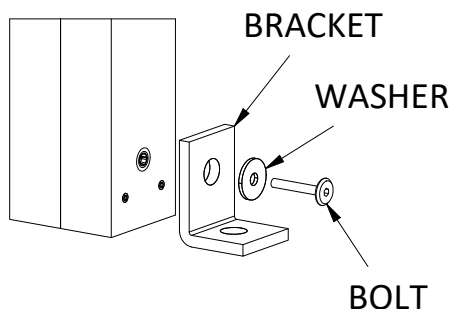


3) Attach Back Supports to Back using (1) C Bolt for each Back Support as shown.



4) Attach Back to Arms using (1) B Bolt on each side as shown.

5) Attach Back to Seat using (6) B Bolts and (4) C Bolts as shown.



INCLUDED HARDWARE FOR OPTIMAL SURFACE MOUNTING

NOTE: Ground Anchors not included.



SEQUOIA
PROFESSIONAL
by **highwood**

For information on Care and Cleaning or to Register your SEQUOIA PROFESSIONAL product by *highwood*[®], please visit www.highwood-usa.com.

CM-BENSQ62
09.20.21

PAGE 2 OF 2